

## Subminiature limit switch

### → 83581

- Very compact dimensions
- IP67/IP69 protection
- Precise setting by threaded barrel
- Wire lead or cable output



### Main specifications

		Metal plunger 835810	Plunger with axial metal roller 835811	Plunger with 90° metal roller 835811 G/90
<b>Function</b>	<b>Connections</b>			
I (Changeover)	D0.5 (wires, right)	<b>83 581 001</b>	<b>83 581 101</b>	<b>83 581 102</b>
I (Changeover)	G0.5 (wires, left)	●	●	●
I (Changeover)	C0.5 (cable, left)	<b>83 581 003</b>	●	●
<b>Mechanical characteristics</b>				
Minimum operating force (N)		5	5	5
Minimum total travel force (N)		20	20	20
Differential travel (mm)		1	1	1
Minimum operating travel mm		2.5	2.5	2.5
Maximum total travel mm		6	4	4
Mechanical life (operations)		10 <sup>5</sup>	10 <sup>5</sup>	10 <sup>5</sup>
Operating temperature - wires (°C)		-40 → +105	-40 → +105	-40 → +105
Operating temperature - cable (°C)		-40 → +90	-40 → +90	-40 → +90
Weight (g)		40	45	45

### General characteristics

#### General characteristics

Protection against electric shock	IEC/EN 61140: class II (cable output), class I (wire output)
Degree of protection IEC 60529	IP67/IP69

#### Electrical characteristics

Assigned operating current (Ie)	8 A - 250 VAC
---------------------------------	---------------

Electrical endurance (operations)	8 A - 250 VAC : 40000 5 A - 250 VAC : 100000
-----------------------------------	---

#### Connections

Connection	Wire leads : PVC 3x1 mm <sup>2</sup> - Standard length 0.50 m - ext. Ø 2 mm Cable : 3x0.75 mm <sup>2</sup> - Length 0.50 m - ext. Ø 5 mm
------------	---

### Product adaptations



- Special leads and cables, special lengths, full wiring with custom connector
- Cable output on right
- Dual-current versions : plunger (835818), roller plunger (835819)
- SPST-NC or SPST-NO models
- Two-pole version
- Plunger with ball for lateral approach from any direction
- UL approval

## Principles

### Function

Single break two-way contact element (form C : changeover) with snap action

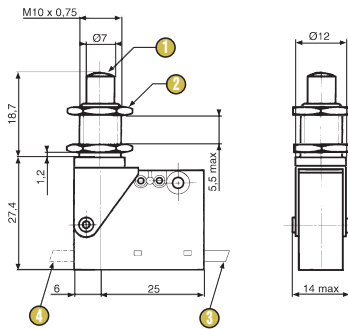


- 1 Black (common)
- 2 Brown (NC)
- 4 Blue or grey (NO)

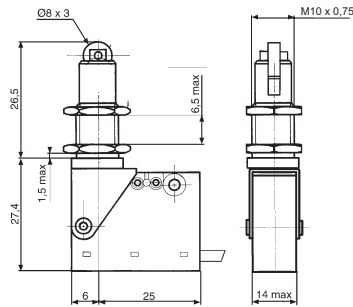
## Dimensions

### → Product

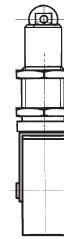
83 581 0 / 83 581 8



83 581 1 / 83 581 9



83 581 1 G/90 / 83 581 9 G/90



- 1 R10 spherical
- 2 Nuts 14 across flats Thickness 2
- 3 Output on right
- 4 Output on left

### Warning:

The product information contained in this catalogue is given purely as information and does not constitute a representation, warranty or any form of contractual commitment. Crouzet Automatismes SAS and its subsidiaries reserve the right to modify their products without notice. It is imperative that we should be consulted over any particular use or application of our products and it is the responsibility of the buyer to establish, particularly through all the appropriate tests, that the product is suitable for the use or application. Under no circumstances will our warranty apply, nor shall we be held responsible for any application (such as any modification, addition, deletion, use in conjunction with other electrical or electronic components, circuits or assemblies, or any other unsuitable material or substance) which has not been expressly agreed by us prior to the sale of our products.