

Sealed

→ 83 123

- Low-profile casing
- IP66/IP67/IP69 protection
- Compact dimensions
- Pre-cabled output



Main specifications

	Connections	Standard 83 123 0	Spherical cover 83 123 0
		83 123 018	83 123 074
Function	H05 VVF cable		
I (changeover)			
Electrical characteristics			
Rating nominal / 250 V AC (A)		5	5
Rating thermal / 250 V AC (A)		12	12
Mechanical characteristics			
Maximum operating force (N)		7.5	7.5
Min. Release force (N)		1.5	1.5
Maximum total travel force (N)		8	8
Max. permitted overtravel force (N)		30	30
Tripping point (mm)		11.4 ^{±0.4}	16.5 ^{±0.5}
Maximum differential travel (mm)		0.2	0.25
Min. overtravel (mm)		0.25	0.2
Ambient operating temperature (°C)		0 → +85	0 → +85
Mechanical life (operations)		2 x 10 ⁶	2 x 10 ⁶
Contact gap (mm)		0.5	0.5
Weight (g)		45	50
Connections			
Connection		Cable 3 x 0.75 mm ² in sheath Ø ext. 7.6 mm max. Standard length 0.50 m	Cable 3 x 0.75 mm ² in sheath Ø ext. 7.6 mm max. Standard length 0.50 m
Comments			
Common (1) : black Normally closed (2) : brown Normally open (4) : grey			

Additional specifications

Components

Material

- Casing : nitrile (option: silicone)
- Contacts : silver
- Mounting plate : stainless steel

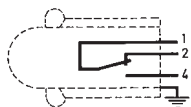
Product adaptations



- Special casing, leads, cables for specific environment
- -40 °C versions with silicone casing
- SPST NO or NC versions

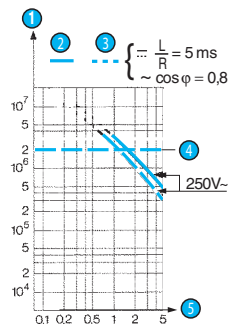
Principles

Single break changeover snap-action switch



Curves

Operating curve

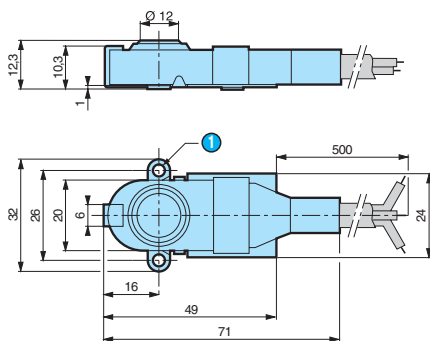


- 1 Number of cycles
- 2 Resistive circuit
- 3 Inductive circuit
- 4 Mechanical life limit
- 5 Current in Amps

Dimensions

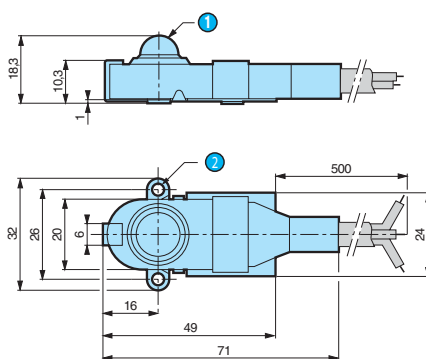
→ Product

83 123 Standard



- 1 2 holes Ø 3.2

83 123 Spherical cover



- 1 R6 spherical
- 2 2 holes Ø 3.2

Other information

Mounting - Operation

In order to comply with basic safety requirements, an insulator must be used if the device is being operated manually. One of the fixing holes must be used as a protective earth.